



45S10RT125

45 Foot Round Tapered Steel Light Pole, 10.0 Inch Diameter, 11 Gauge

Job: _____
 Job Site: _____ State: _____ Client Name: _____
 Notes: _____ Approvals: _____ Date: _____

Product Description:

Pole Top Options: A removable pole cap is provided if the pole is drilled for attaching light fixtures. The drill pattern and drill orientation needs to be provided by the customer unless Energy Light fixtures are used for the project. If tenon option is selected, a 2-3/8 inch diameter tenon with 4 inch length is provided.

Pole Shaft: The pole shaft is a 1-piece assembly conforming to ASTM A595 Grade A or A572 Grade 55 with a constant linear taper of 0.14 in/ft.

Handhole: A 4" X 6-1/2" oval reinforced handhole is located 18 inches from the base. A cover and attachment hardware are included. Handhole dimensions are nominal. Ground lug is included.

Finish: Commercial grade, super durable powder coat finish. Dark Bronze, White and Black colors are provided at no extra charge. Other colors and custom color options are available at a surcharge. Hot dip galvanizing is available with a surcharge and extended lead-times. Powder coated galvanized poles are also available as a premium option.

Anchor Bolts: A set of 4 galvanized steel anchor bolts is provided with each pole assembly. Each anchor bolt includes 2 nuts and 2 washers. Top portion of the anchor bolt is threaded for securing and leveling the pole with the provided nuts and washers. An actual size paper anchor bolt template is provided.

Bolt Circle Range: Min: 13" - Max: 14"
 Standard Bolt Circle template: 13-1/2"

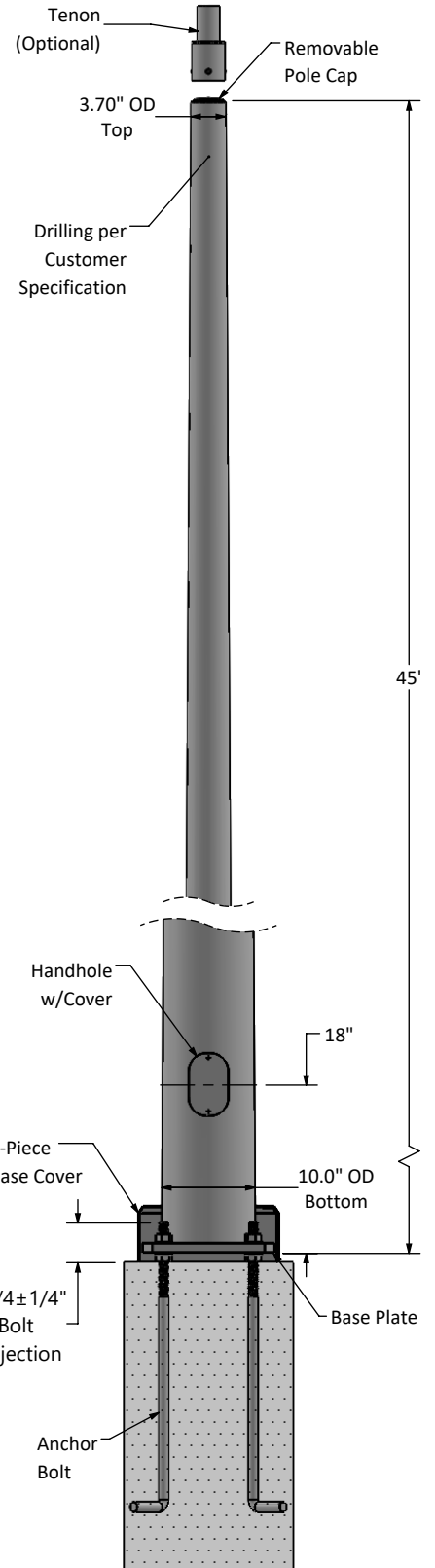
Base Cover: An ABS plastic base cover consisting of 2 pieces is provided. Plastic rivets or screws are included to securely attach 2 pieces together after pole installation.

Energy Light, Inc. reserves the right to provide a two-piece steel full base cover.

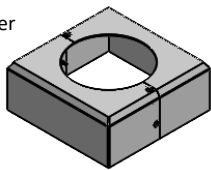
Other Options: The following options are available: Custom tenon sizes, custom colors, electric/GFI outlets, custom pole heights, additional handholes and custom base plate dimensions.

Warranty: 1 Year.

Foundation design: Foundation should be designed by an engineer familiar with local soil and wind conditions as well as local code where the pole(s) will be installed.



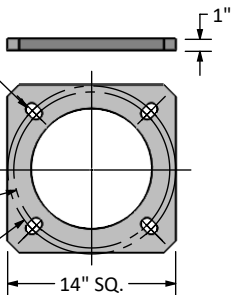
2-Piece Base Cover



Maximum EPA with 1.3 Gust Factor (ft ²)			Pole Weight (lbs)
80 mph	90 mph	100 mph	
17.4	13.5	10.6	450

Base Plate

4 Bolt Slotted Holes
 90° Apart
 As Shown



Anchor Bolt

Anchor Bolt Dim.
 1"x36"x4"



Disclaimer: All dimensions and specifications are subject to change without any notice. Energy Light, Inc. is not responsible for any claims arising from improper loading (what is attached to the light pole), improper use, incorrect foundation design and/or installation.