

Job: \_\_\_\_\_ State: \_\_\_\_\_ Client Name: \_\_\_\_\_  
 Job Site: \_\_\_\_\_ Approvals: \_\_\_\_\_ Date: \_\_\_\_\_  
 Notes: \_\_\_\_\_

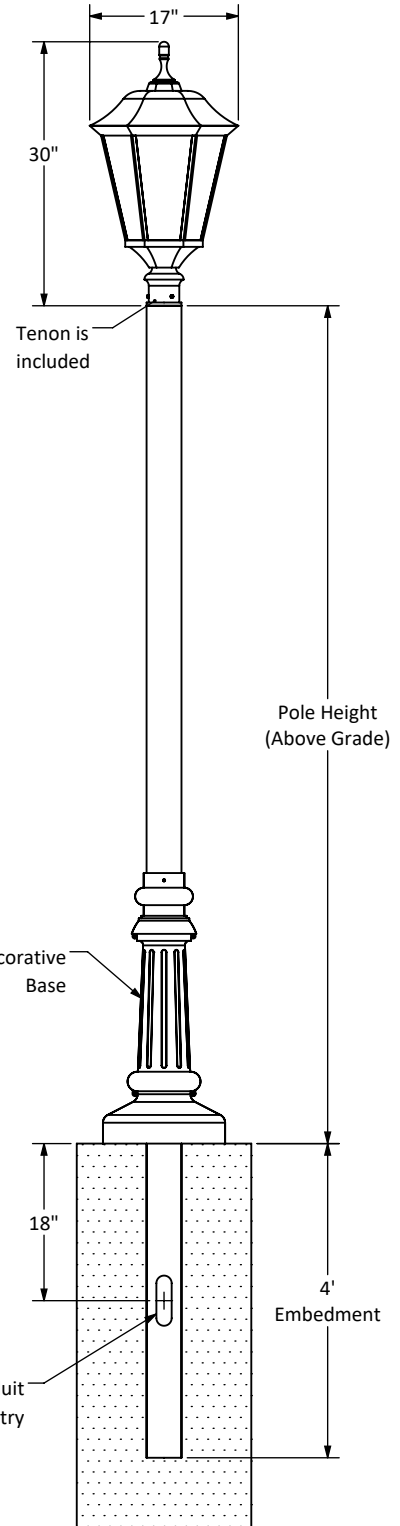
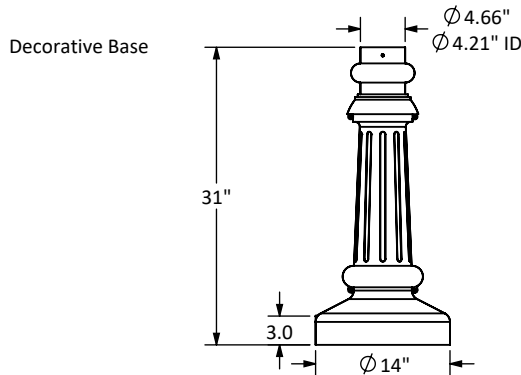
**LIGHT POLE**

**Pole Shaft:** 4 inch round straight aluminum with 0.125" wall thickness. Seamlessly extruded from 6063-T6 alloy.  
**Pole Height:** Standard above grade pole height is 16 ft. Optional heights are 14, 12, 10 and 8 ft. Custom heights are also available.  
**Handhole:** 2-1/2" X 4" size handhole is located at 18 inches from the base. An aluminum handhole cover with 2 screws is provided. A ground lug with set screw is located near the handhole opening for proper grounding of the pole.  
**Decorative Base:** 2-piece, clamshell style cast aluminum material. 4 stainless steel, tamper-resistant screws are included for attachment. Attached to the pole with 3 set screws.  
 Weight: 17.5 lbs  
**Color:** Black powder coat.  
**Embedment:** 4 ft. of embedment. A 1-3/4" X 5 3/4" size slotted opening is provided 18 inches from the ground line for conduit entry.  
**Color:** Black powder coat.  
**Maximum Wind Rating:** 100 mph wind zone with 1.3 gust factor.  
**Warranty:** 5 Years.  
**Foundation Design:** Foundation should be designed by an engineer familiar with local soil and wind conditions as well as local code where the pole(s) will be installed.

**LANTERN FIXTURE**

**LED Lantern Light Fixture:** Cast aluminum frame features 6 frosted tempered glass lenses. All LED power options include mogul socket. Wet location rated. 3 stainless steel screws are provided for attachment to pole. Weight: 12 lbs

LED Power (Watt)	Lumens	Lumens Per Watt	Voltage (Volt)
27	4,185	155	120-277
36	5,580	155	120-277
45	6,975	155	120-277
63	9,765	155	120-277
80	12,400	155	120-277
100	15,500	155	120-277



**Disclaimer:** All dimensions and specifications are subject to change without any notice. Energy Light, Inc. is not responsible for any claims arising from improper loading (what is attached to the light pole), improper use, incorrect foundation design and/or installation.