

QS20A57RTAB-PLT

20 Foot Round Tapered Anchor Based Aluminum Light Pole, Quick Ship



Job: _____ Client Name: _____
 Job Site: _____ State: _____ Approvals: _____
 Notes: _____ Date: _____

Pole Top: 2 3/8" tenon is standard. 3" tenon or top cap options are available.

Pole Shaft: 20 ft. height above ground, Tapered aluminum shaft with 0.165" wall thickness. The pole shaft is constructed of seamless extruded tube of 6060 Series Aluminum Alloy.

Handhole: 3.35" X 15.75" handhole is located 28 inches above ground. Handhole cover with 2 Tamper-Resistant Screws is provided. A ground lug with set screw is located near the handhole opening for proper grounding of the pole.

Anchor Bolts: A set of 4 galvanized steel anchor bolts is provided with each pole assembly. Each anchor bolt includes 2 Hex Nuts and 2 Flat Washers. An actual size paper anchor bolt template is provided.

Bolt Circle Range: 10.5"-11".

Base Cover: A 2-piece ABS plastic base cover is provided. Plastic rivets are included to securely attach the 2 pieces together after pole installation.

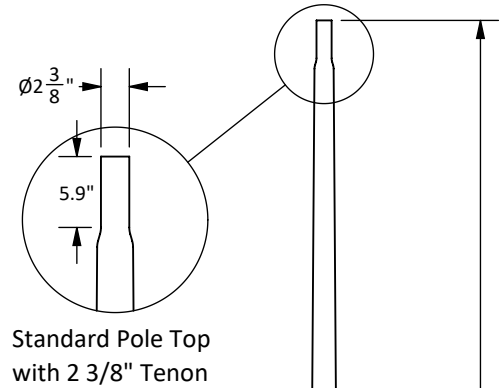
Finish: Dark Natural Aluminum.

Warranty: 10 Years.

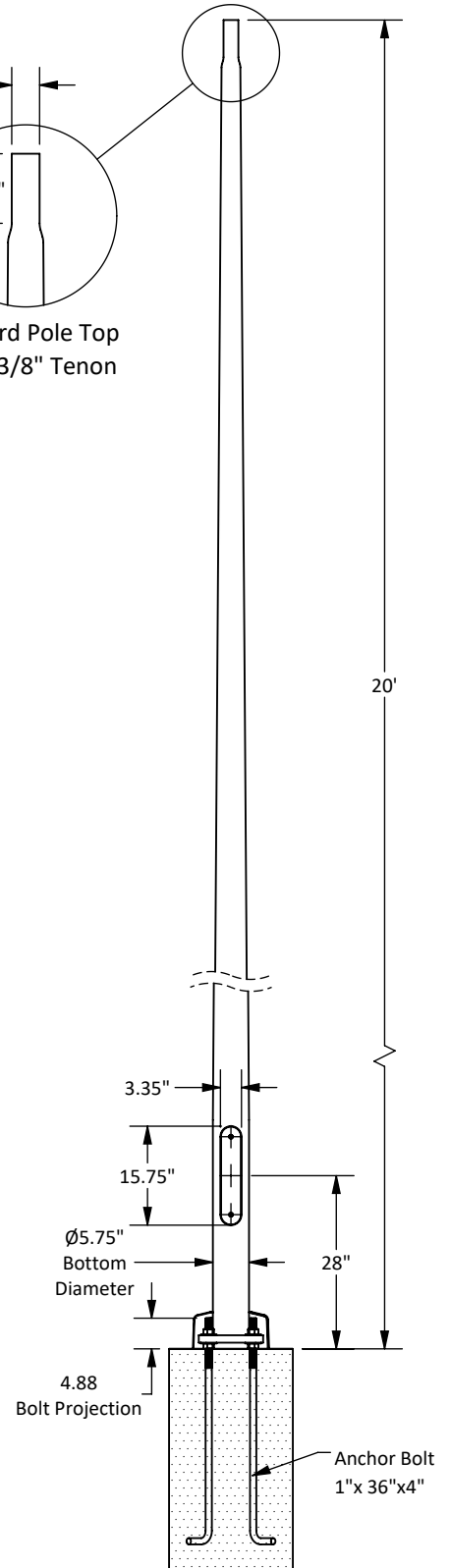
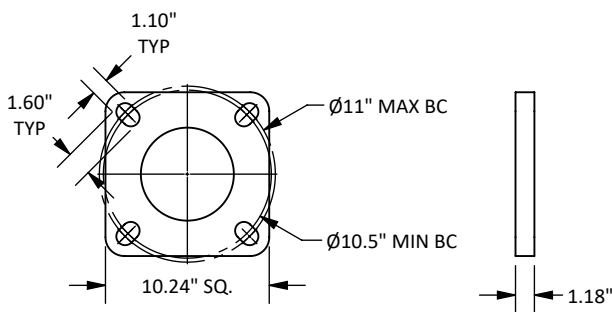
Maximum Luminaire Weight: 100 lbs

Weight: 70 lbs

Foundation design: Foundation should be designed by an engineer familiar with local soil and wind conditions as well as local code where the pole(s) will be installed.



Maximum EPA per 2023 Florida Building Code							
110 mph	120 mph	130 mph	140 mph	150 mph	160 mph	170 mph	180 mph
7.5	6.7	6.1	5.0	4.0	3.6	2.8	2.3



Disclaimer: All dimensions and specifications are subject to change without any notice. Energy Light, Inc. is not responsible for any claims arising from improper loading (what is attached to the light pole), improper use, incorrect foundation design and/or installation.